

21.5" full plane capacitive screen aluminum alloy fanless industrial panel PC

Key features:

- Support intel Celeron/Core i3, i5, i7 CPU, DDR3/4 memory, mSATA, M.2, 2.5 inch SATA hard drive
- Screen 21.5" resolution 1920x1080, aluminum alloy front panel IP65 waterproof, optional capacitive touch screen or resistive touch screen
- Support power-on and power-on, built-in double horns, high and low temperature resistance (-20°C to 60°C) uninterrupted and stable operation, with grounding terminals
- It can be expanded to 6 COM ports, supports HDMI or VGA screen expansion display, and can choose anti-vibration buffer waterproof adhesive strip
- 1 Gigabit LAN port (optional dual network port, WIFI Bluetooth or 4G module, optional addition of 9-36V wide voltage module)
- The aluminum alloy of the chassis is sturdy and beautiful, the aluminum fin fanless heat dissipation is more efficient, and it supports embedded/VESA bracket and other installation methods



Product Introduction

SCP-K215WR/WZ aluminum alloy industrial tablet PC is equipped with intel Celeron/Core processor, data storage supports mSATA, M.2, 2.5-inch SATA, rich USB, LAN and other interfaces, expandable COM port, WIFI Bluetooth or 4G module, optional 9-36V wide voltage for unstable voltage environment, optional anti-vibration buffer waterproof adhesive strip to better prevent moisture from penetrating into the box, It is widely used in industrial fields and embedded devices, and is also equipped with HDMI or VGA video output for extended display, supporting Windows and Linux systems.

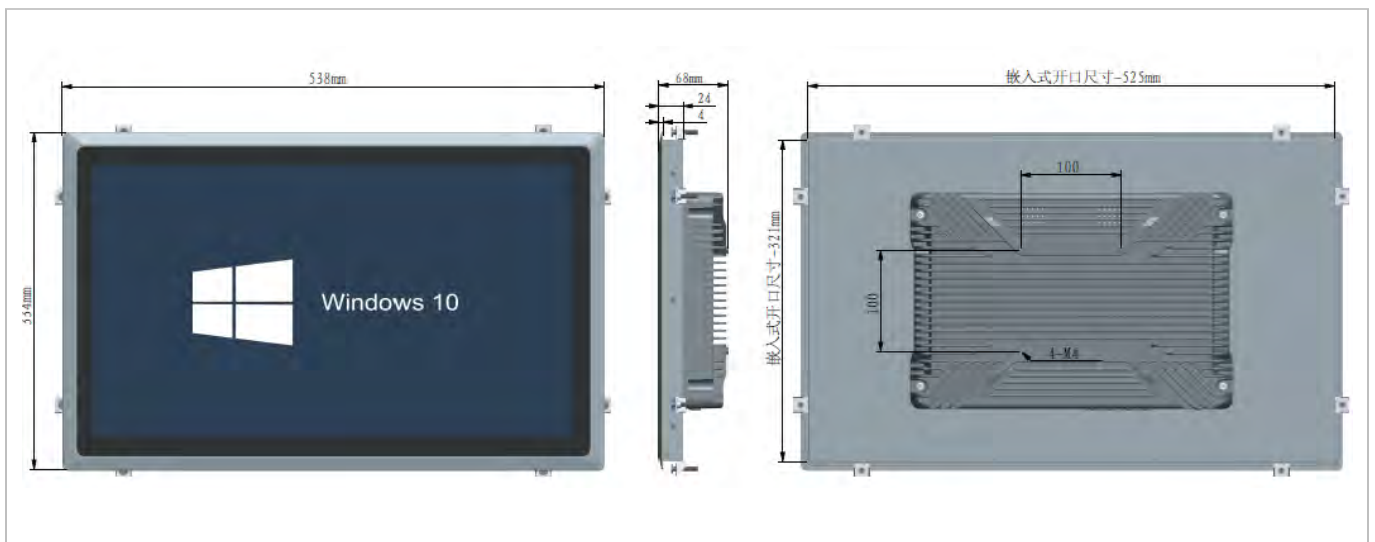
It supports a wide temperature range (-20°C to 60°C), and the fully enclosed aluminum fin fanless design ensures more efficient heat dissipation and strong vibration resistance, making it a more reliable industrial platform and providing safe grounding components to protect equipment more effectively. Screen: 21.5-inch LED backlit industrial screen, aluminum alloy front panel meets IP65 waterproof standard, optional full-plane capacitive touch screen or resistive touch screen.

Embedded and VESA wall-mounted, desktop and other installation methods can be quickly and flexibly installed in various environments, and can be applied to industrial automation, military heavy industry, power communications, smart government affairs, medical education, visual logistics, advertising display, digital signage, smart city and other fields.

Product images



Dimensional interfaces



Specifications

| | | |
|----------------|--------------------------------------|--|
| system | C P U | intel Celeron J1900/J4125/J6412、Core i3/i5/i7 |
| | Display the core | intel HD Graphics |
| | Memory support | DDR3/4 SO-DIMM |
| | Hard disk support | mSATA/M.2/2.5 寸 SATA |
| | Network chips | Gigabit Ethernet |
| | Audio chips | Integrated (built-in dual speakers). |
| | operating system | Support Windows/Linux |
| Interfaces | USB | 6×USB |
| | Serial port | None (optional expansion 6 x DB9 RS232, 1-3 x optional switching RS485/422). |
| | Ethernet port | 1× LAN 1000Mbps (2 LAN ports optional). |
| | Extended display | 1×HDMI |
| | Audio | 1×Audio |
| | Electrical source | 1×DC 12V (optional 3pin 9-36V wide voltage). |
| | Turn it off | 1×Power |
| | Grounding | 1×GND |
| | Wireless communications | 1× MINI-PCIE (OPTIONAL EXPANSION WIFI/BLUETOOTH/4G MODULE). |
| Display | Screen type | 21.5" LED, 16:9 widescreen |
| | Resolution | 1920×1080 @60Hz |
| | Display colors | 16.7M |
| | Degree of contrast | 1000:1 |
| | Screen brightness | 300~500cd/m ² |
| | Viewing angle | Horizontal 160° / Vertical 150° |
| | Viewable area | 480×286mm |
| Touch | Touch the screen | Available capacitive touch screen or resistive touch screen |
| | Support contacts | 10-point touch or 1-point touch |
| | Surface hardness | ≥7H or ≥4H |
| | Light transmittance | >87% or >79% |
| | Controllers | USB |
| Structure | Front panel | Aluminum alloy: 4 mm to thick, 2mm to thin |
| | Ingress protection | The front panel is IP65 waterproof and dustproof |
| | Chassis material | Aluminum alloy with ground terminal |
| | Heat dissipation | Aluminum fins fanless |
| | Power Specifications | DC 12V power adapter |
| | Installation: | Embedded, VESA mount type (100×100mm)) |
| | Product dimensions | 538×334×68mm |
| | Embedded cut-outs | 525×321mm |
| | Package size | 655×455×155mm |
| | Product color | Silver (grayish tint) |
| Product weight | Net weight 7.8kg, gross weight 9.5kg | |
| Environment | Interference resistance | EMI/EMC interference detection standards |
| | ESD static electricity | The contact discharge ±8KV, the air discharge ±15KV |
| | Vibration resistance | 5~500Hz, 2Grms random vibration |
| | Shock resistant | Working Status: 10G@11ms, Non-Working Status: 20G@11ms |
| | Working environment | -20°C ~ 60°C |
| | Storage environment | -20°C ~ 70°C |
| | relative humidity | 10%~90% (no condensation). |

Ordering Information

| Model | Touch | size | resolution | CPU | Memory | SSD | SATA | LAN | COM | HDMI | VGA | USB2.0 | USB3.0 | Power |
|------------------------------|--------------------------------------|-------|------------|-------------------------|--------|-----|------|-----|----------|------|-----|--------|--------|--------|
| SCP-K215WR/WZ (J1900) | Capacitive Screen / Resistive Screen | 21.5" | 1920x1080 | J1900/2.0GHz | DDR3 | 1 | 1 | 1-2 | optional | 1 | 1 | 5 | 1 | DC 12V |
| SCP-K215WR/WZ (J4125) | Capacitive Screen / Resistive Screen | 21.5" | 1920x1080 | J4125/2.0GHz | DDR4 | 1 | 1 | 1-2 | optional | 1 | 1 | 4 | 2 | DC 12V |
| SCP-K215WR/WZ (J6412) | Capacitive Screen / Resistive Screen | 21.5" | 1920x1080 | J6412/2.0GHz | DDR4 | 1 | 1 | 1-2 | optional | 1 | 1 | 4 | 2 | DC 12V |
| SCP-K215WR/WZ (N4000) | Capacitive Screen / Resistive Screen | 21.5" | 1920x1080 | N4000/1.1GHz | DDR4 | 1 | 1 | 1-2 | optional | 1 | 1 | 4 | 2 | DC 12V |
| SCP-K215WR/WZ (4205U) | Capacitive Screen / Resistive Screen | 21.5" | 1920x1080 | 4205U/1.8GHz | DDR4 | 1 | 1 | 1-2 | optional | 1 | 1 | 4 | 2 | DC 12V |
| SCP-K215WR/WZ (5205U) | Capacitive Screen / Resistive Screen | 21.5" | 1920x1080 | 5205U/1.9GHz | DDR4 | 1 | 1 | 1-2 | optional | 1 | 1 | 4 | 2 | DC 12V |
| SCP-K215WR/WZ (i5-3320M) | Capacitive Screen / Resistive Screen | 21.5" | 1920x1080 | i5-3320M/2.6GHz | DDR3 | 1 | 1 | 1-2 | optional | 1 | 1 | 4 | 2 | DC 12V |
| SCP-K215WR/WZ (i3-4005U) | Capacitive Screen / Resistive Screen | 21.5" | 1920x1080 | i3-4005U/1.7GHz | DDR3 | 1 | 1 | 1-2 | optional | 1 | 1 | 4 | 2 | DC 12V |
| SCP-K215WR/WZ (i5-4210U) | Capacitive Screen / Resistive Screen | 21.5" | 1920x1080 | i5-4210U/1.7GHz | DDR3 | 1 | 1 | 1-2 | optional | 1 | 1 | 4 | 2 | DC 12V |
| SCP-K215WR/WZ (i5-6200U) | Capacitive Screen / Resistive Screen | 21.5" | 1920x1080 | i5-6200U/2.3GHz | DDR3 | 1 | 1 | 1-2 | optional | 1 | 1 | 4 | 2 | DC 12V |
| SCP-K215WR/WZ (i3-7100U) | Capacitive Screen / Resistive Screen | 21.5" | 1920x1080 | i3-7100U/2.4GHz | DDR3 | 1 | 1 | 1-2 | optional | 1 | 1 | 4 | 2 | DC 12V |
| SCP-K215WR/WZ (i5-7200U) | Capacitive Screen / Resistive Screen | 21.5" | 1920x1080 | i5-7200U/2.5GHz | DDR3 | 1 | 1 | 1-2 | optional | 1 | 1 | 4 | 2 | DC 12V |
| SCP-K215WR/WZ (i7-7500U) | Capacitive Screen / Resistive Screen | 21.5" | 1920x1080 | i7-7500U/2.7GHz | DDR3 | 1 | 1 | 1-2 | optional | 1 | 1 | 4 | 2 | DC 12V |
| SCP-K215WR/WZ (i7-7820HQ) | Capacitive Screen / Resistive Screen | 21.5" | 1920x1080 | i7-7820HQ/2.9GHz | DDR4 | 1 | 1 | 1-2 | optional | 1 | 1 | 2 | 4 | DC 12V |
| SCP-K215WR/WZ (i3-8145U) | Capacitive Screen / Resistive Screen | 21.5" | 1920x1080 | i3-8145U/2.1GHz | DDR4 | 1 | 1 | 1-2 | optional | 1 | 1 | 2 | 4 | DC 12V |
| SCP-K215WR/WZ (i5-8257U) | Capacitive Screen / Resistive Screen | 21.5" | 1920x1080 | i5-8257U/1.4GHz | DDR4 | 1 | 1 | 1-2 | optional | 1 | 1 | 2 | 4 | DC 12V |
| SCP-K215WR/WZ (i5-8259U) | Capacitive Screen / Resistive Screen | 21.5" | 1920x1080 | i5-8259U/2.3GHz | DDR4 | 1 | 1 | 1-2 | optional | 1 | 1 | 2 | 4 | DC 12V |
| SCP-K215WR/WZ (i5-8265U) | Capacitive Screen / Resistive Screen | 21.5" | 1920x1080 | i5-8265U/1.6GHz | DDR4 | 1 | 1 | 1-2 | optional | 1 | 1 | 2 | 4 | DC 12V |
| SCP-K215WR/WZ (i5-8279U) | Capacitive Screen / Resistive Screen | 21.5" | 1920x1080 | i5-8279U/2.4GHz | DDR4 | 1 | 1 | 1-2 | optional | 1 | 1 | 2 | 4 | DC 12V |
| SCP-K215WR/WZ (i5-8350U) | Capacitive Screen / Resistive Screen | 21.5" | 1920x1080 | i5-8350U/1.7GHz | DDR4 | 1 | 1 | 1-2 | optional | 1 | 1 | 2 | 4 | DC 12V |
| SCP-K215WR/WZ (i5-8365U) | Capacitive Screen / Resistive Screen | 21.5" | 1920x1080 | i5-8365U/1.6GHz | DDR4 | 1 | 1 | 1-2 | optional | 1 | 1 | 2 | 4 | DC 12V |
| SCP-K215WR/WZ (i7-8565U) | Capacitive Screen / Resistive Screen | 21.5" | 1920x1080 | i7-8565U/1.8GHz | DDR4 | 1 | 1 | 1-2 | optional | 1 | 1 | 2 | 4 | DC 12V |
| SCP-K215WR/WZ (i5-10210U) | Capacitive Screen / Resistive Screen | 21.5" | 1920x1080 | i5-10210U/1.6GHz | DDR4 | 1 | 1 | 1-2 | optional | 1 | 1 | 2 | 4 | DC 12V |
| SCP-K215WR/WZ (i3-1125G4) | Capacitive Screen / Resistive Screen | 21.5" | 1920x1080 | i3-1125G4/2.0GHz | DDR4 | 1 | 1 | 1-2 | optional | 1 | 1 | 4 | 2 | DC 12V |
| SCP-K215WR/WZ (i5-1135G7) | Capacitive Screen / Resistive Screen | 21.5" | 1920x1080 | i5-1135G7/2.4GHz | DDR4 | 1 | 1 | 1-2 | optional | 1 | 1 | 4 | 2 | DC 12V |
| SCP-K215WR/WZ (i7-1165G7) | Capacitive Screen / Resistive Screen | 21.5" | 1920x1080 | i7-1165G7/2.8GHz | DDR4 | 1 | 1 | 1-2 | optional | 1 | 1 | 4 | 2 | DC 12V |
| SCP-K215WR/WZ (i5-11320H) | Capacitive Screen / Resistive Screen | 21.5" | 1920x1080 | i5-11320H/3.2GHz | DDR4 | 1 | 1 | 1-2 | optional | 1 | 1 | 4 | 2 | DC 12V |
| SCP-K215WR/WZ (i7-11390H) | Capacitive Screen / Resistive Screen | 21.5" | 1920x1080 | i7-11390H/3.4GHz | DDR4 | 1 | 1 | 1-2 | optional | 1 | 1 | 4 | 2 | DC 12V |
| SCP-K215WR/WZ (6-12th Core) | Capacitive Screen / Resistive Screen | 21.5" | 1920x1080 | 6/7/8/9/10/11/12th Core | DDR4 | 1 | 1 | 1-2 | optional | 1 | 1 | 4 | 2 | DC 12V |
| SCP-K215WR/WZ (13-14th Core) | Capacitive Screen / Resistive Screen | 21.5" | 1920x1080 | 13/14th Core | DDR5 | 1 | 1 | 1-2 | optional | 1 | 1 | 4 | 2 | DC 12V |

Configuration upgrade

| | | |
|------------------------|------------------------|------------------------|
| name | name | name |
| Memory | Memory | Memory |
| hard disk | hard disk | hard disk |
| Wireless communication | Wireless communication | Wireless communication |
| LAN port | LAN port | LAN port |
| COM port | COM port | COM port |
| Wide voltage range | Wide voltage range | Wide voltage range |
| Case color | Case color | Case color |

Accessories list

| name | description | quantity | remark |
|--------------------|--|----------|----------|
| Recessed snaps | For flush mounting | 4 | Standard |
| Power adapter | DC 12V 5A power adapter | 1 | Standard |
| Power cord | National standard, European standard, British standard, American standard, etc., the length can be 1.5m / 2m / 3m / 5m / 10m | 1 | Optional |
| Warranty card | Soncci logo / neutral | 1 | Optional |
| Certificate | Soncci logo / neutral | 1 | Optional |
| Wall mount bracket | The VESA100×100mm hole is used for wall mounting | 1 | Optional |
| Desk stand | The VESA100×100mm hole is used for mounting on the desktop | 1 | Optional |